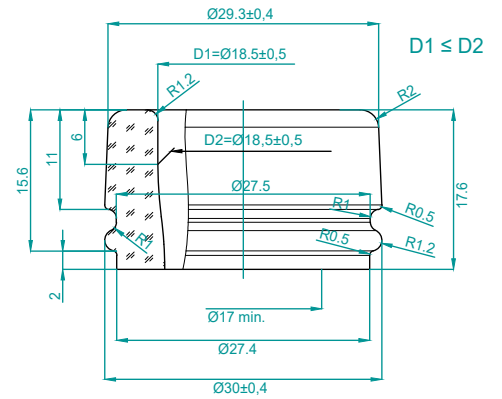
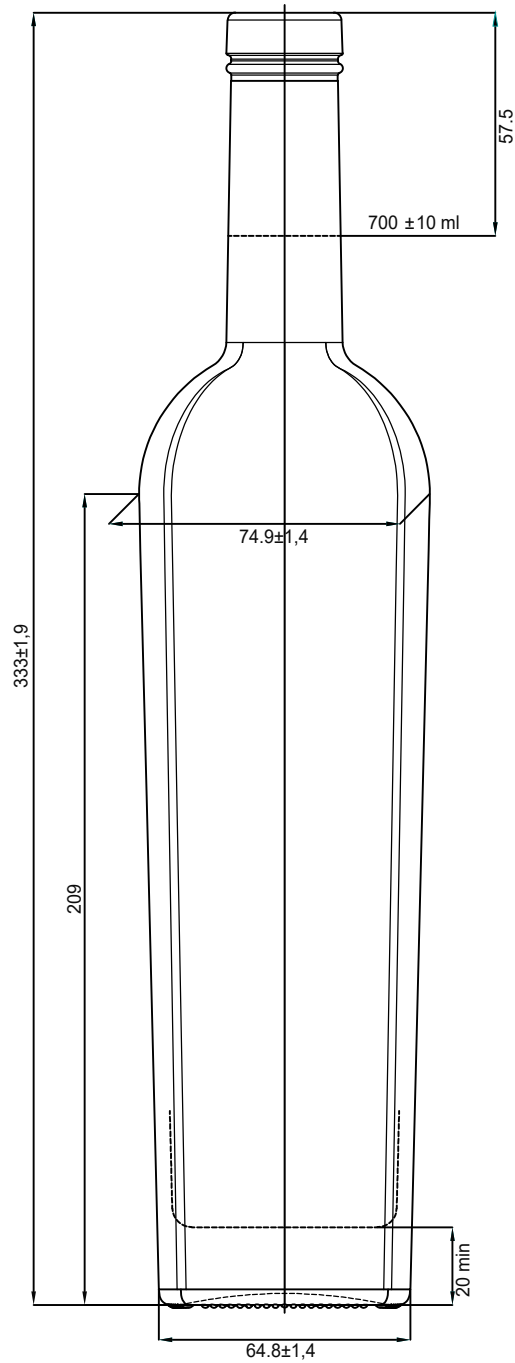


DIAMOND 1

0.700



KMC
GLASS



- ⌘ Diamond 1 0.700

- ⌘ Weight - 840 g

- ⌘ Filling CAP - 720 ± 10 ml

- ⌘ Color - Flint

- ⌘ Diameter - 74.9 ± 1.4

www.kmc.glass
sales@kmc.glass